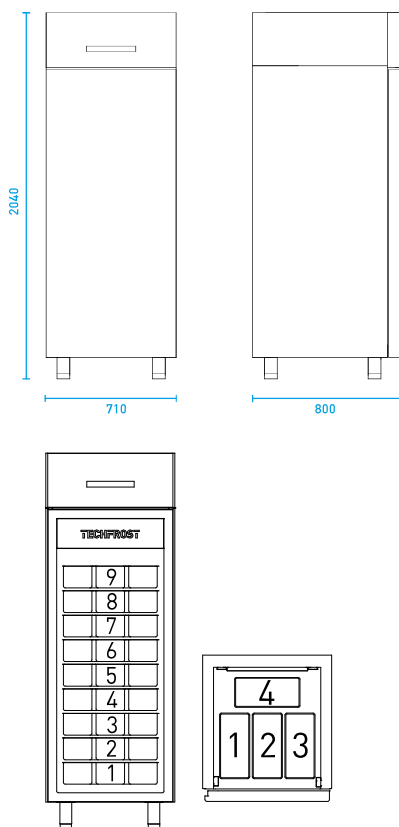


SG32

CABINET 20 TRAYS
GN 2/1 -10°C/-25°C
36 ICE CREAM TUBS
CONSERVATORE 20 TEGLIE
GN 2/1 -10°C/-25°C
36 VASCHE



MODEL SG32

CODE 540C0115

CAPACITY TRAYS
CAPACITÀ TEGLIE
20 trays GN 2/1
20 teglie GN 2/1

CAPACITY LITERS
CAPACITÀ LITRI
700

OPERATING TEMPERATURE
TEMPERATURA DI ESERCIZIO
-10°C / -25°C

POWER REQUIREMENTS
ALIMENTAZIONE ELETTRICA
230V / 1Ph / 50Hz
400V / 3Ph / 50Hz (optional)

EXTERNAL DIMENSIONS
DIMENSIONI ESTERNE
L:710 P/d:800 H:2040 mm

INTERNAL DIMENSIONS
DIMENSIONI INTERNE
L:650 P/d:675 H:1400 mm

POWER RATING
POTENZA ASSORBITA
0,85 Kw / 4,5 A

COOLING CAPACITY
RESA FRIGORIFERA
[-10°C / +45°C] = 1168 W
[-30°C / +45°C] = 322 W

DEFROSTING
SBRINAMENTO
Electric / Elettrico

REFRIGERANT
GAS REFRIGERANTE
R452A (GWP 2141)

NET/GROSS WEIGHT
PESO NETTO/LORDO
140 kg / 150 kg

PACKAGING (WxDxH)
MISURE IMBALLO
740 x 850 x 2250 mm