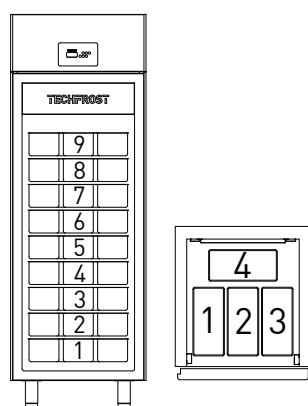
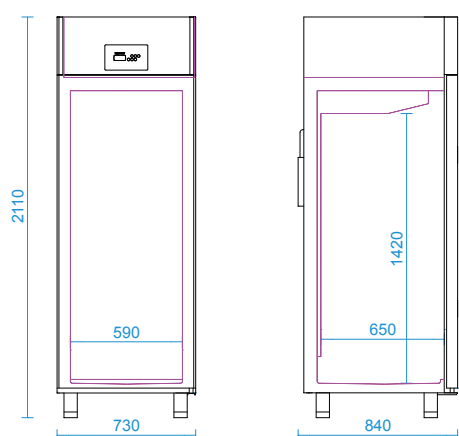


EG32 PLUS

**CABINET 20 TRAYS GN 2/1 -10°C/-25°C
WITH AIR FLOW CONVEYOR**
36 ICE CREAM TUBS
CONSERVATORE 20 TEGLIE GN 2/1 -10°C/-25°C
CON CONVOGLIATORE DI FLUSSO D'ARIA
36 VASCHETTE



MODEL EG32 PLUS CODE 70GN01000

CAPACITY TRAYS
CAPACITA' TEGLIE
20 trays GN 2/1
20 teglie GN 2/1

CAPACITY LITERS
CAPACITÀ LITRI
700

OPERATING TEMPERATURE
TEMPERATURA DI ESERCIZIO
-10°C / -25°C

POWER REQUIREMENTS
ALIMENTAZIONE ELETTRICA
230V / 1Ph / 50Hz
400V / 3Ph/ 50Hz (optional)

EXTERNAL DIMENSIONS
DIMENSIONI ESTERNE
L:730 P/d:840 H:2110 mm

INTERNAL DIMENSIONS
DIMENSIONI INTERNE
L:590 P/d:650 H:1420 mm

POWER RATING
POTENZA ASSORBITA
0,85 Kw / 4,5 A

COOLING CAPACITY
RESA FRIGORIFERA
[-10°C / +45°C] = 1168 W
[-30°C / +45°C] = 322 W

DEFROSTING
SBRINAMENTO
Electric / Elettrico

REFRIGERANT
GAS REFRIGERANTE
R404A (GWP 3922)

NET/GROSS WEIGHT
PESO NETTO/LORDO
160 kg / 170 kg

PACKAGING (WxDxH)
MISURE IMBALLO
760 x 870 x 2250 mm